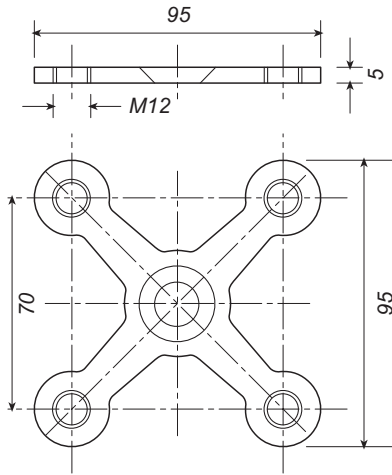


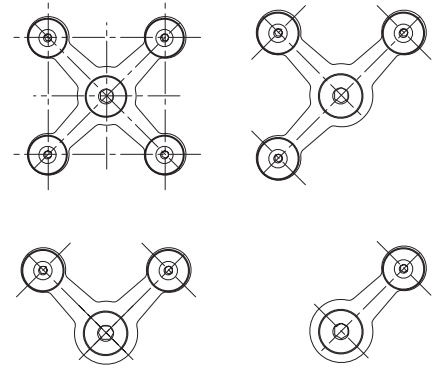
Clear-as-glass-views

Spider Fixing Technique S/L

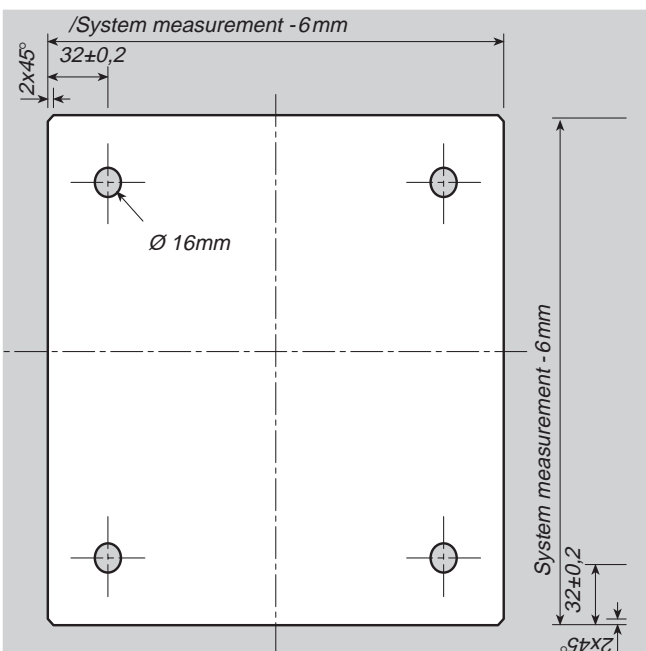
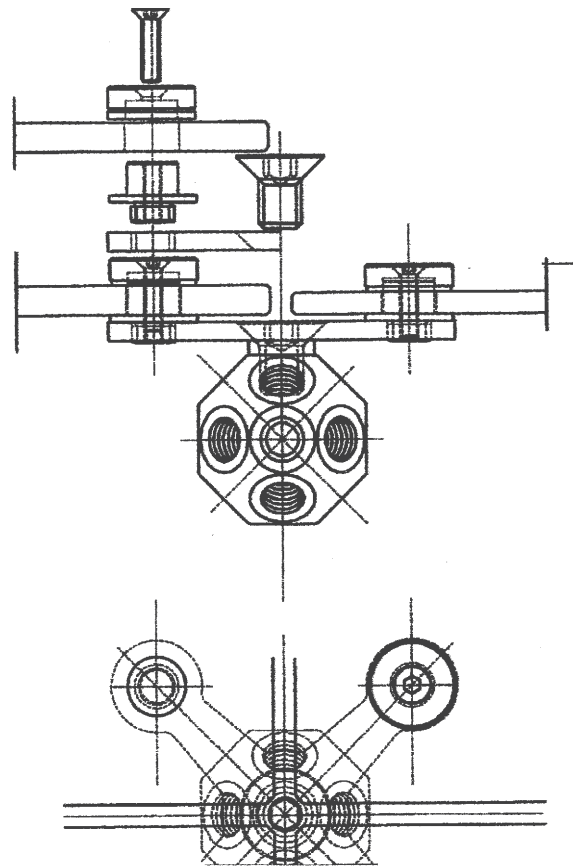
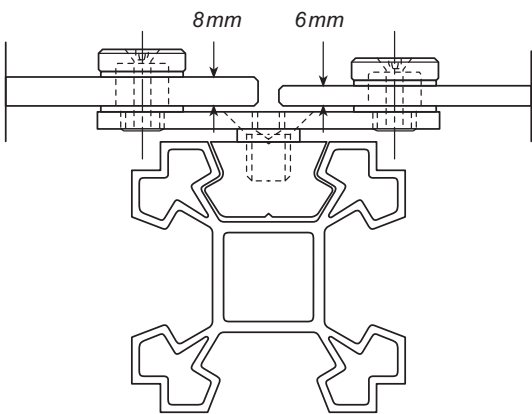
The Spider Fixing S



Combination with 4D support



Combination with M12 node



Panels made of different materials, like mineral glass, plastic, metal or wood can be fixed in front of the system axis using the spider fixing S.

The fixing from electro polished stainless steel is equally suitable for linking the M12 and the 4D System.

The spider fixing S is also available with only three, two or one bracket, for corners and edges. Also, special versions for curved constructions are possible.

Project Examples with the Spider Fixing S



- 1. Way Spa, Italy
- 2. Manfred Müller, Germany
- 3. Colorcom, Italy



Project Examples with the Spider Fixing S



Translucent plexi-glass door, illuminated from inside, 6m height, 4.40m width. M12 construction with spider fixing type 'S'.

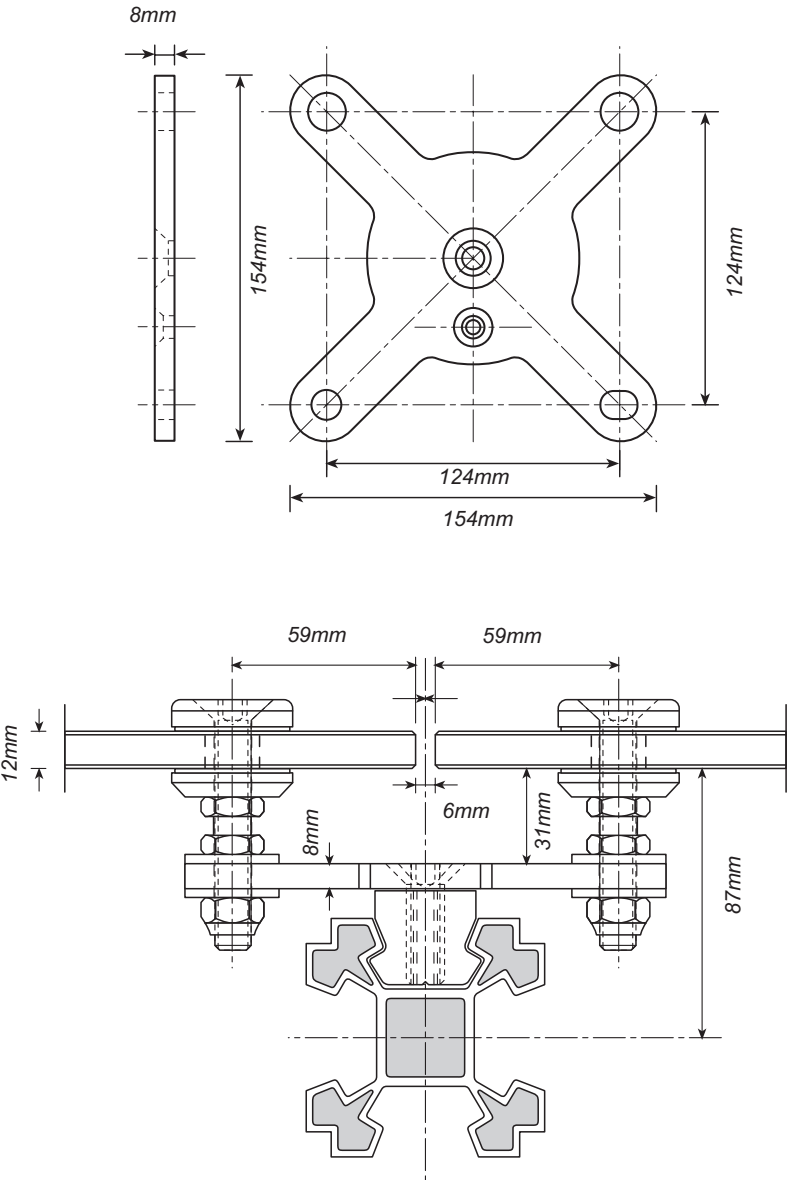
Design & Execution: Display Müller, Ramshalden/Germany.



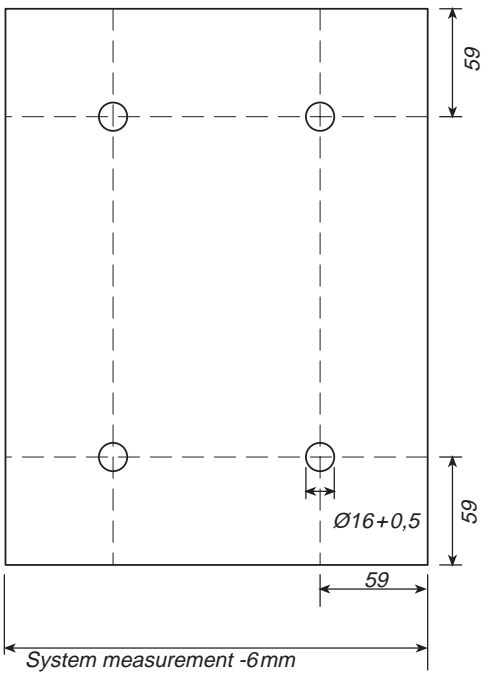
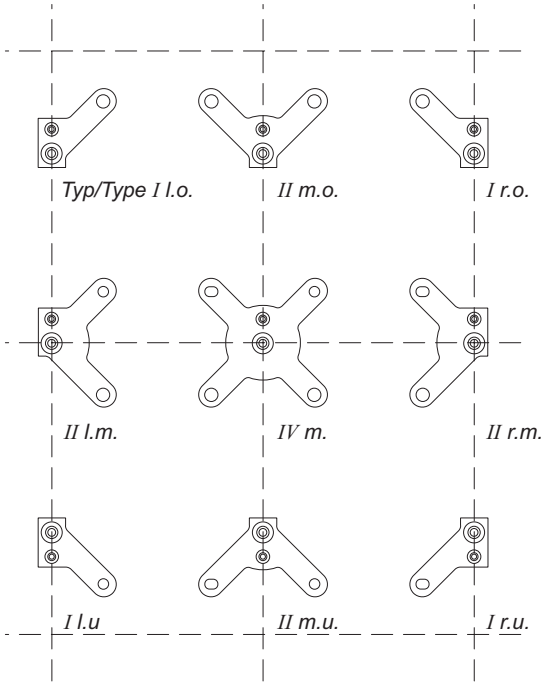
For more than just glass. Spider fixings can be used to 'point fix' virtually any cladding material. The main advantage is that the cladding completely hides the supporting structure, providing a clean unbroken wall cladding.



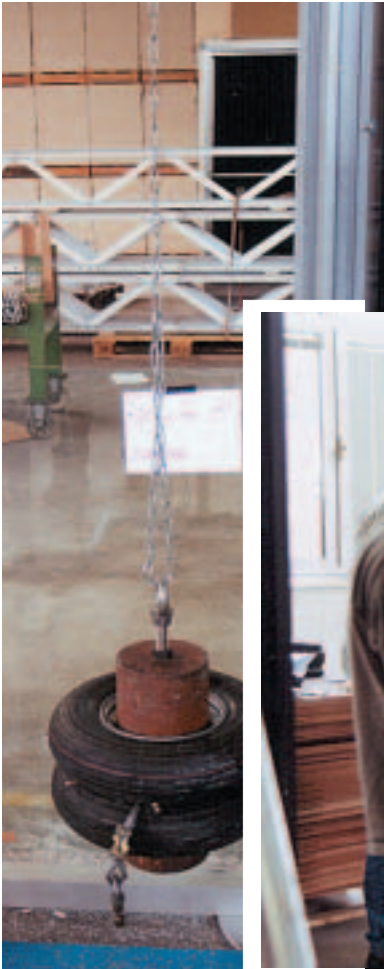
The Spider Fixing L



Spider fixing type 'L' is used for cladding materials with a thickness of up to 12mm. A panel size of 1.0 x 2.5m is achievable – dependent on the type of cladding material used.



The Spider Fixing L passes Security Test



After extensive inspection the Advanced Technical College of Munich certified (in testing report no. 2001-3065 dated 07/06/2001) that our spider fixings type 'L' when used with the 4D System, have a drop preventing function as follows:

Drop preventing function of category A + C when using 2x6mm partly braced glass with a pane size of 2500x994mm (height x width).

Drop preventing function of category A when using 2x4mm partly braced glass with a pane size between 994x994mm till 2500x994mm.

Project Example with the Spider Fixing L

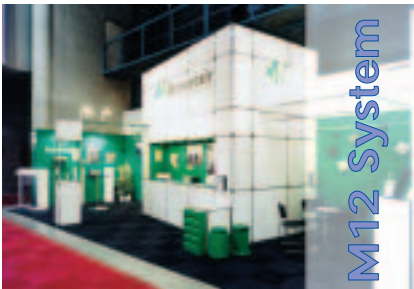


*Chapman Taylor Partners,
Design Group Partnership,
Benoy, Great Britain*





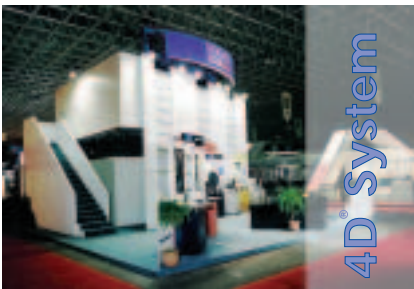
Exhibit Systems



M12 System

A classic remains a trendsetter

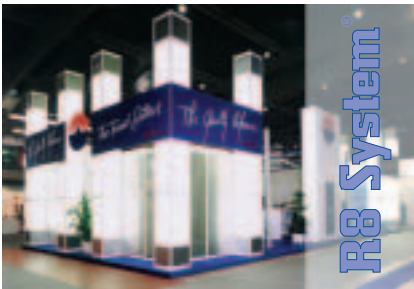
The functionality of the M12 tube-/node system remains the ideal choice for exhibition construction and interior projects.



4D System

Architecture of future

Within short time only, the high tech system 4D for the specialist has become a leading technique for the exhibition construction industry.



R8 System

Creative solutions with profile

Whether on a large or small scale, for exhibitions or interior projects – the R8 System offers excellent economic design solutions.



Advantec

The effortless ease of building

The robust Advantec wall system consists of only three basic components and is the perfect solution for seamless self-built walls.



voluma

Fabulously simple, simply fabulous

Walls, showcases, furniture, displays or even a complete exhibition stand – a variety of solutions with the Voluma connector system.



Mero lite

Designed for impact – built for a lifetime

An efficient and versatile programme of systems that distinguish themselves by simple handling an clever system technique.

MMSYS UK
Exhibit Systems

Tel./Phone: 0845 094 2460
Fax: 0845 094 2470
E-mail: suzi.z@mmsysuk.co.uk
Internet: www.mmsysuk.co.uk

4D® System